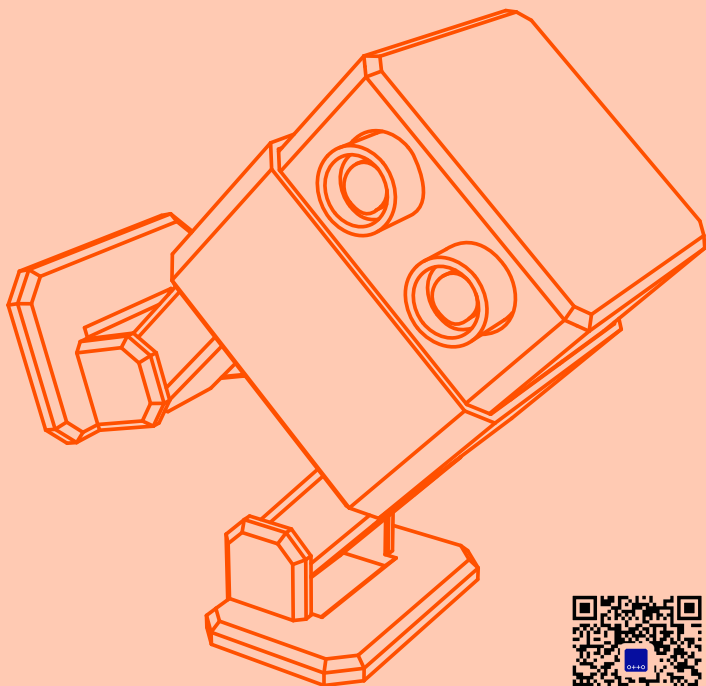




# INSTRUCTION MANUAL

DIY+



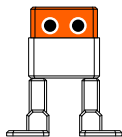
# build your own robot



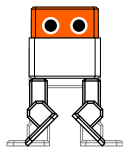
**Otto is an interactive robot that anyone can make!**

you will be able to build your own Otto in as little as one hour!  
easy to build and disassemble with a simple screwdriver.

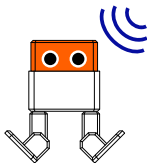
Bluetooth control & coding APP



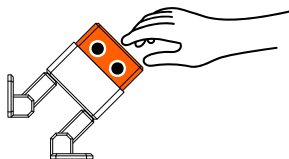
stronger motors



sound sensor

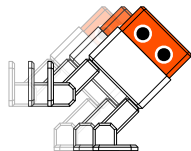


touch sensor

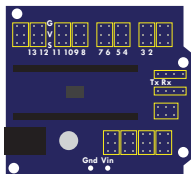
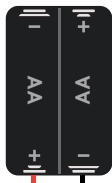
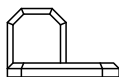
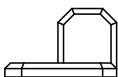
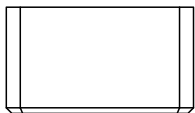


#OttoDIY

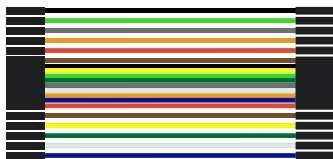
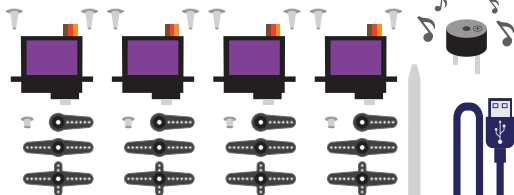
follow us!



# PARTS



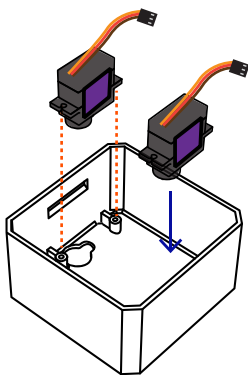
\*AA batteries not included



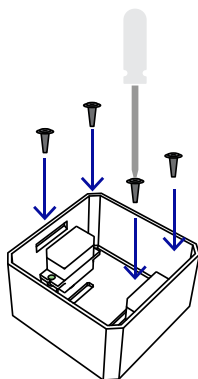
# 1



**a**



**b**

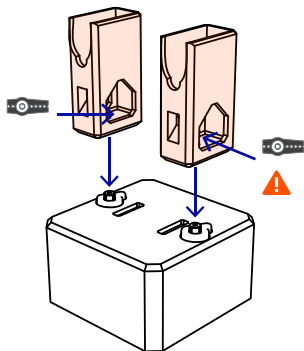
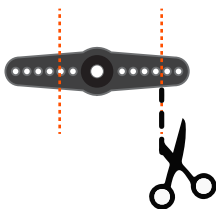


pointed screw

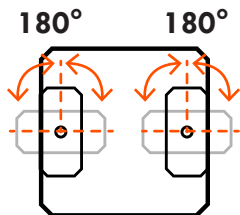
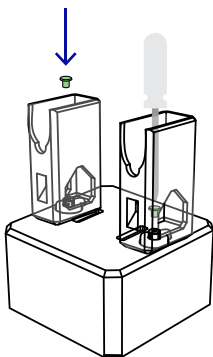
# 2



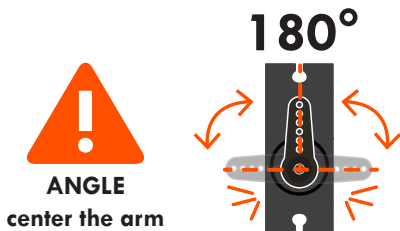
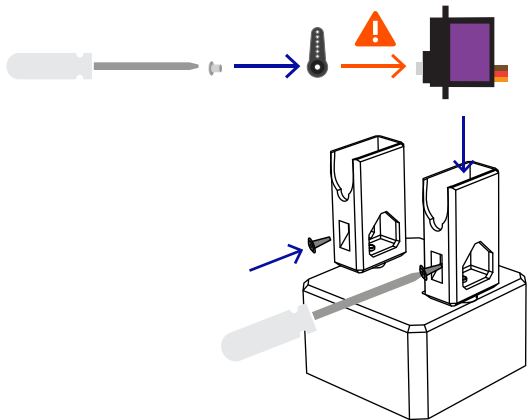
**a**



**b**



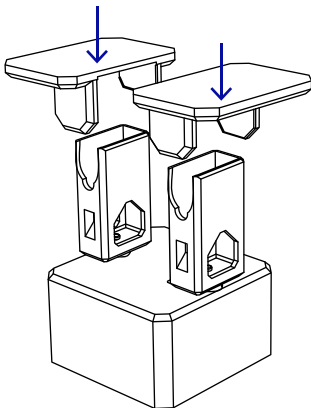
# 3



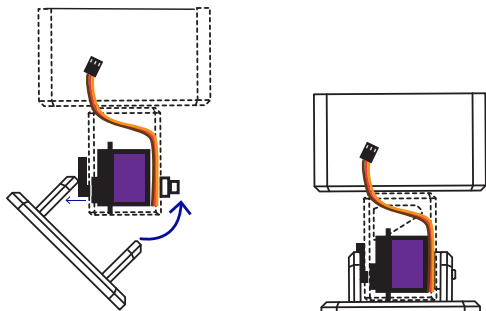
# 4



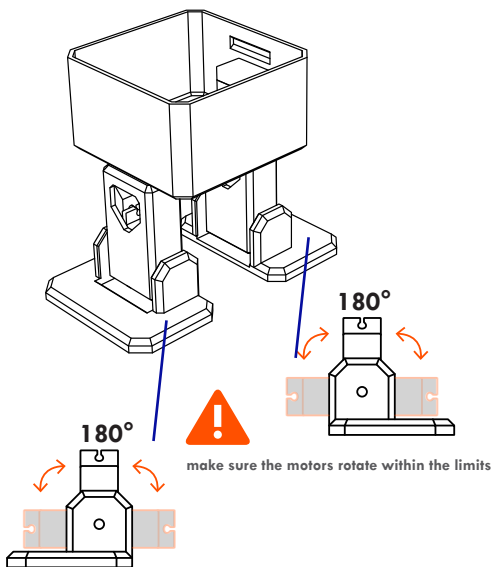
a



b

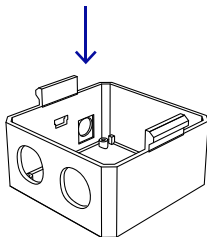
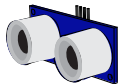
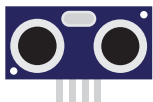


# 5





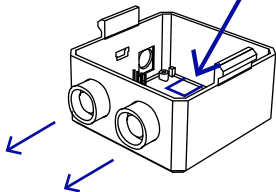
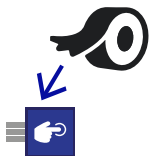
a



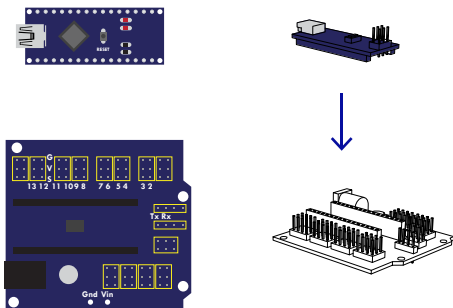
b



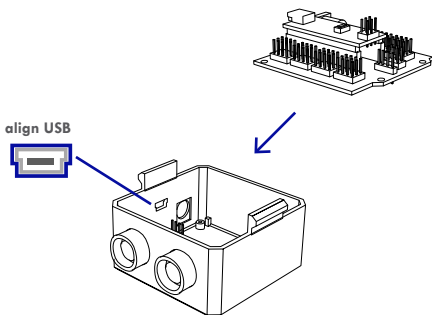
add electric insulation tape between the boards

OUT (SIGNAL)  
G (GND)  
VCC (+5V)

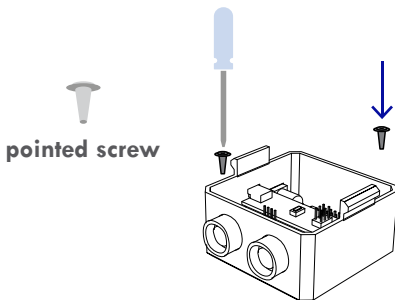
a



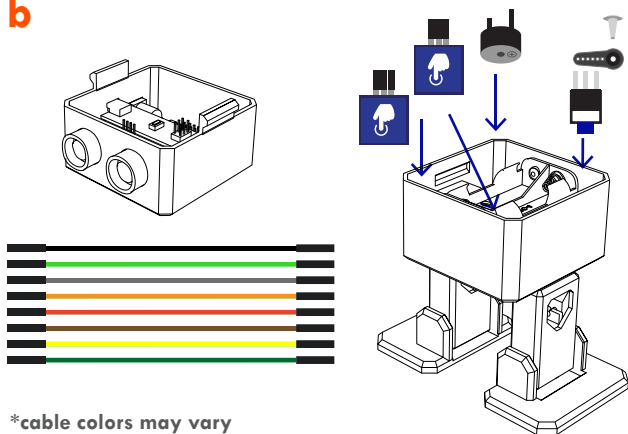
b

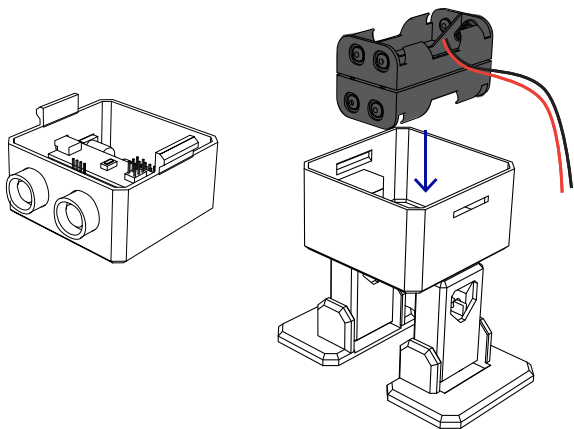


a

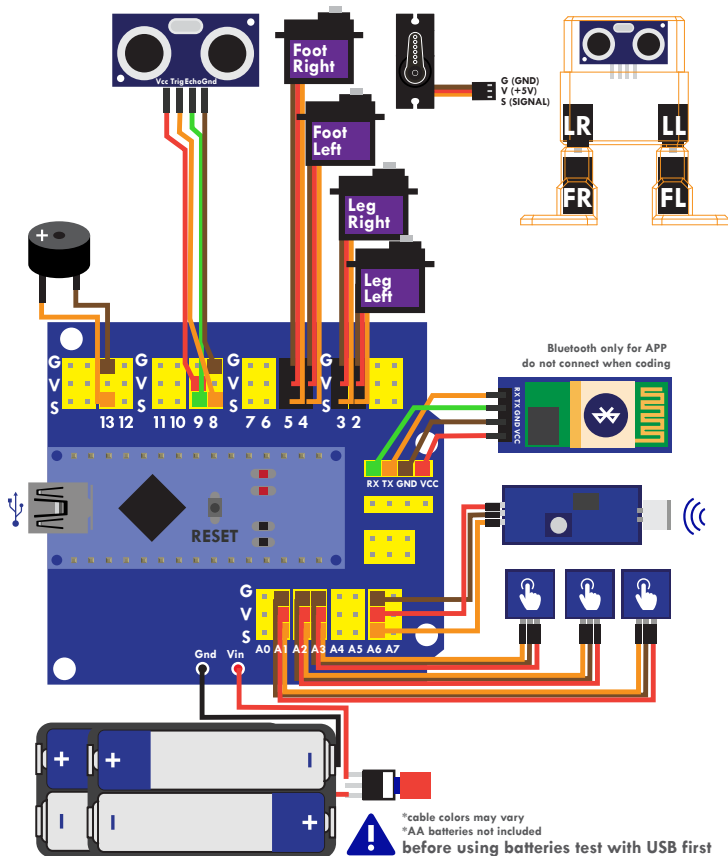


b



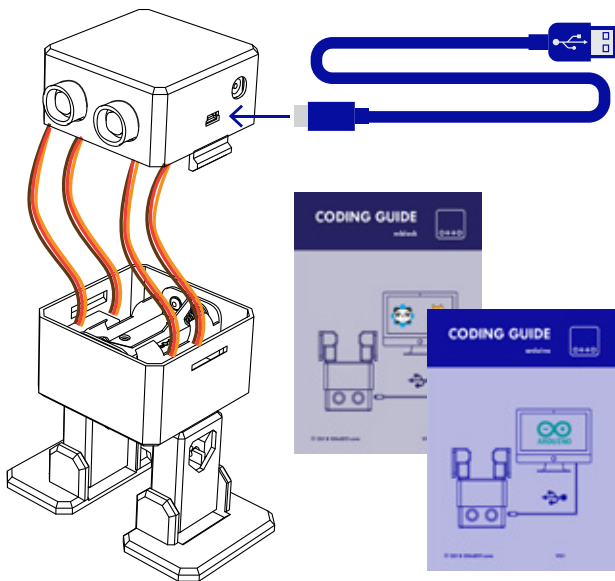


# 10



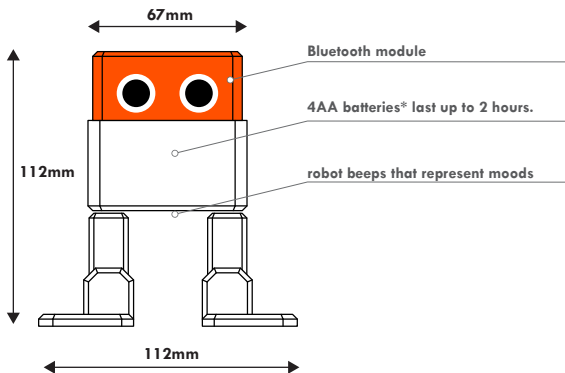
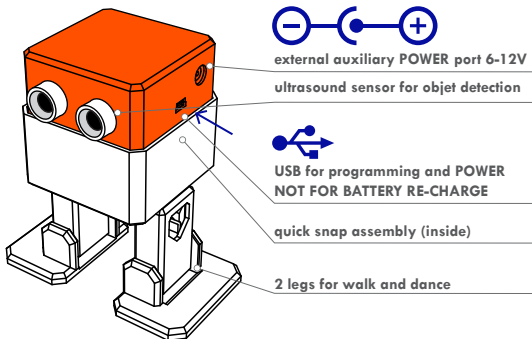


connect and power with USB and test servo motors  
before using any kind of batteries




read the coding guides!

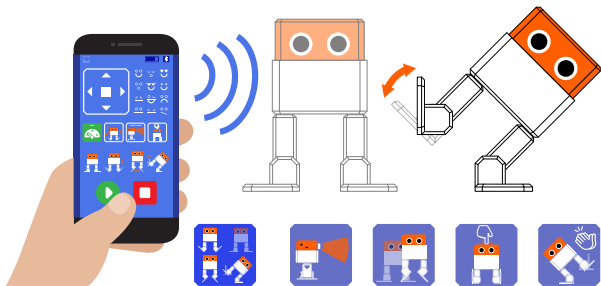
# 12



# 13



- a** **SIGN UP** in [ottodiy.com](http://ottodiy.com)  
download and unzip `OttoDIY_PLUS_all.zip`
- b** copy Otto "PLUS" libraries into  
the Arduino IDE folder
- c** Upload `OttoDIYAPP_122.ino` sketch to Otto
- d** install the APP .apk in your **android** phone 
- e** enable Bluetooth, touch on find Otto  
and pair the Bluetooth address /name
- f** **play with all the features and modes!**



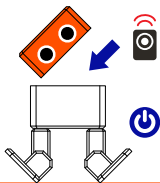


# 14

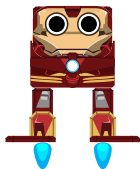


#OttoDIY share  
post your creations!

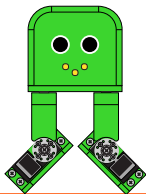
expand...



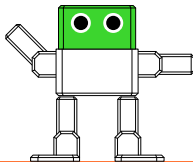
customize



remix



modify





# wanted Otto builders

do you have what it takes?

[ottodiy.com](http://ottodiy.com)

